

General information

Download technical specification

[Technical Specification](#)

Model selection

Different Gateway models are available depending on the periphery availability and type.

Model	Cellular Network				GNSS	Internal memory	
	GPRS	3G	LTE 4G	5G			
AG-707							

Hardware informations

The Gateway is made on one PCB, which is fitted to the aluminum housing. The housing is made of a thick, strong aluminum profile with two end plates also made from aluminum. The surface of the housing is finished by anodizing.

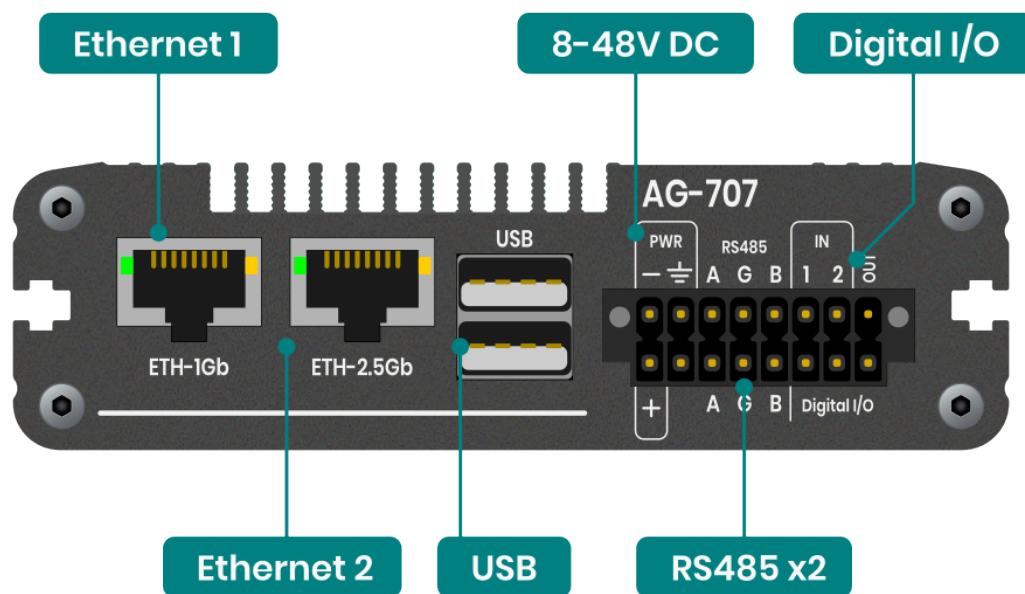
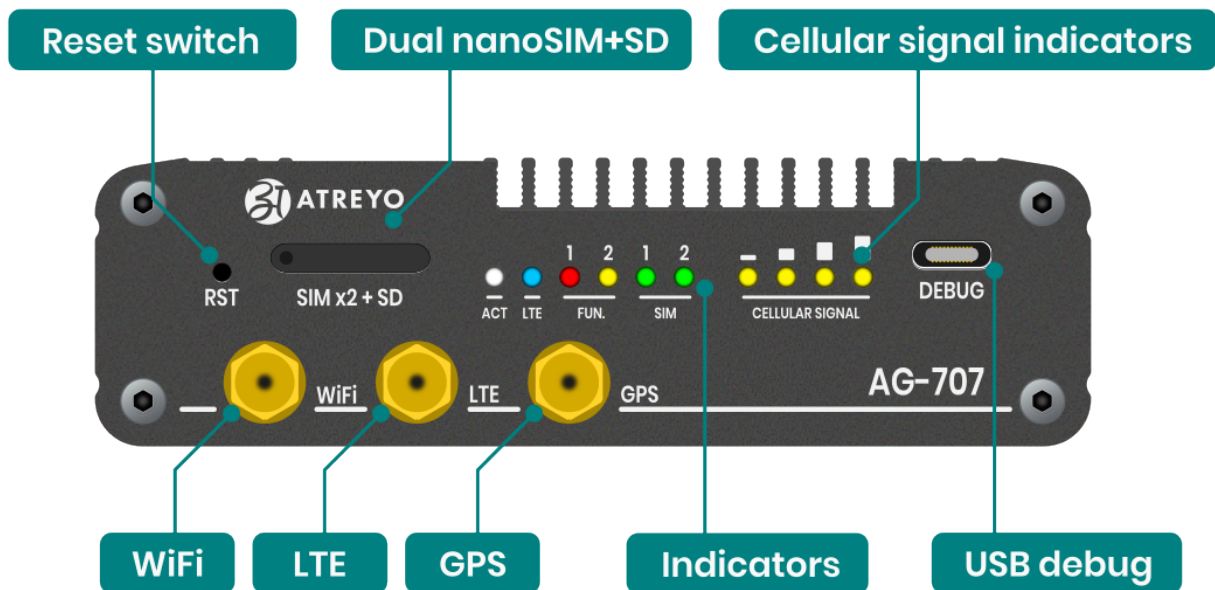
At the side of the housing there are slots through which DIN rail clamp or any other clamp can be mounted.

Top view dimensions

Side view dimensions

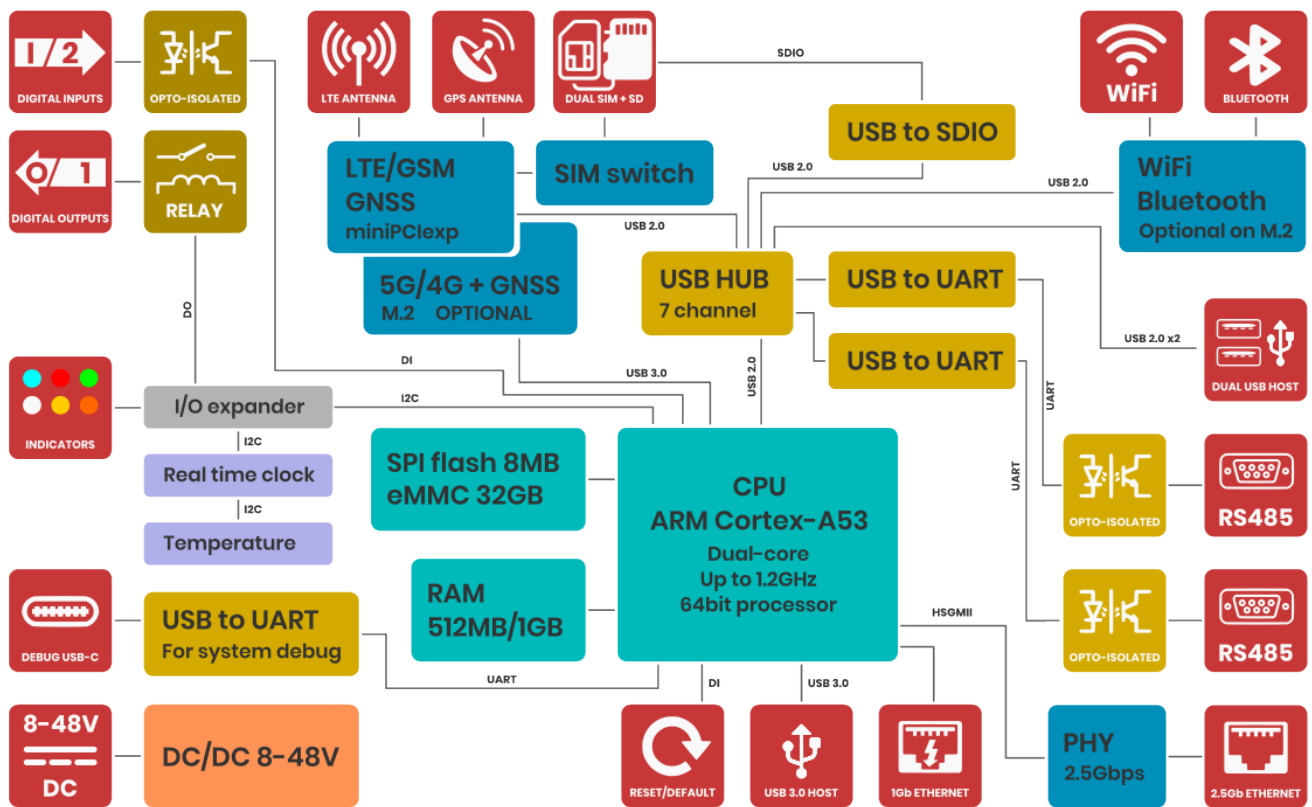
Connectors

Top view connectors and indicators



Block diagram

For a better understanding of the operation of the gateway, refer to the block diagram. Non-essential components have been omitted. Developers who program peripherals such as GPIOs, serial etc. will find information about them in the sections dedicated to such peripherals.



Power supply

The Gateway power supply range is 8-48V DC. You need to connect the gate according to the inscriptions at the main connector. The Gateway is protected against reverse power connection. If the polarity is reversed, the Gateway will not start.

LTE 4G modem

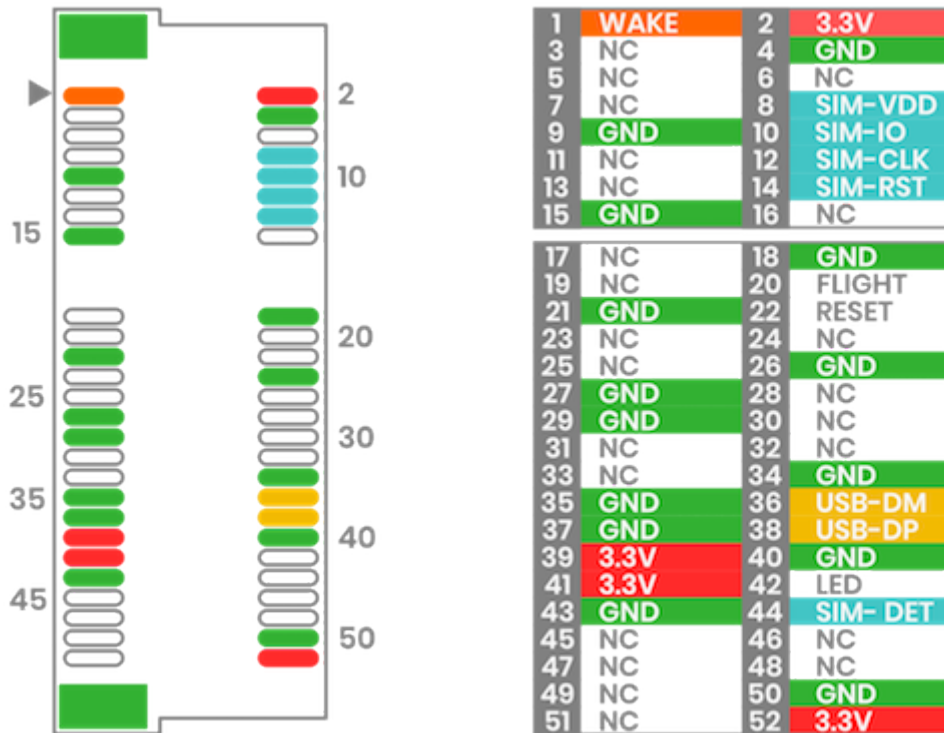
Generally, the Gateway supports all versions of Quectel MiniPCI express modems. However, you can use a third-party modem, as long as the signal outputs are compatible with those of the Quectel company. For use your LTE module, select model without LTE module installed. You also need to pay attention to the power supply to the LTE module should be 3.3V.

Mobile network signal strength is also displayed on 4 LED indicators.

MiniPCI express pinout

Below is the description of the PCI express pinout used in the AG-707. Before installing anything other than the EC200U or EG25, be sure to check the pinout for compatibility. The LTE model is

connected via a USB data bus.



GNSS

Device has onboard LTE modem along with GNSS function. In order to receive the GNSS signal, an antenna is required. There are two types of GNSS antennas: active gnss antenna and passive gnss antenna. The AG-702 supports both types of antennas, but in order for the active antenna to work properly, it is necessary to start powering the active antenna.

Ethernet

The gateway has two RJ45 ethernet ports with LED indicators. The speed of port one is 1000Mbps and two 2500Mbps.

WiFi

The gateway has optional WiFi 2.4GHz/5GHz.

RTC

The gateway has a built-in RTC with superCAP backup power.

Serial Interface

The Gateway has two serial RS485 ports. Both ports are optically isolated from the main gateway circuit, and also isolated from each other. In addition to insulation, they are also protected against surges.

RS485

The baudrate range for RS485 port is 600 bps to 460800 bps. Note that with a longer cable, the maximum speed may drop. It is recommended to use special cables designed for RS485. The port is protected by high-power TVS diodes and GDT against electrical surges.

Digital I/O

The Gateway has two digital inputs and one digital output.

Digital inputs

The digital inputs are completely independent optically isolated inputs that accept an input signal level of up to 30V DC. They have no common minus. They can be connected either with a common plus or minus. Can be controlled with open collector. They require to be powered. The range of the signal considered as a logical 1 is from 3.5V to the maximum input voltage.

Digital output

The digital output is realized on a relay whose load capacity is 3A. The maximum voltage is 160V AC and 30DC. The output is only in normal open format (NO).

LED indicators

The AG-707 gateway has fourteen indicators on the front panel. By default, they are programmed to perform certain functions, but they are all controlled by the processor and knowing the OpenWRT system well, change their functions.

Revision #4

Created 2026-05-13 05:24:49 UTC by Yogesh

Updated 2026-05-13 05:31:23 UTC by Yogesh