

General information

Download technical specification

[Technical Specification](#)

Model Selection

Atreyo produces different versions of the AIC-1708. Below is a table of model selection. If there is no interface listed in the table, it means that it slips in all versions.

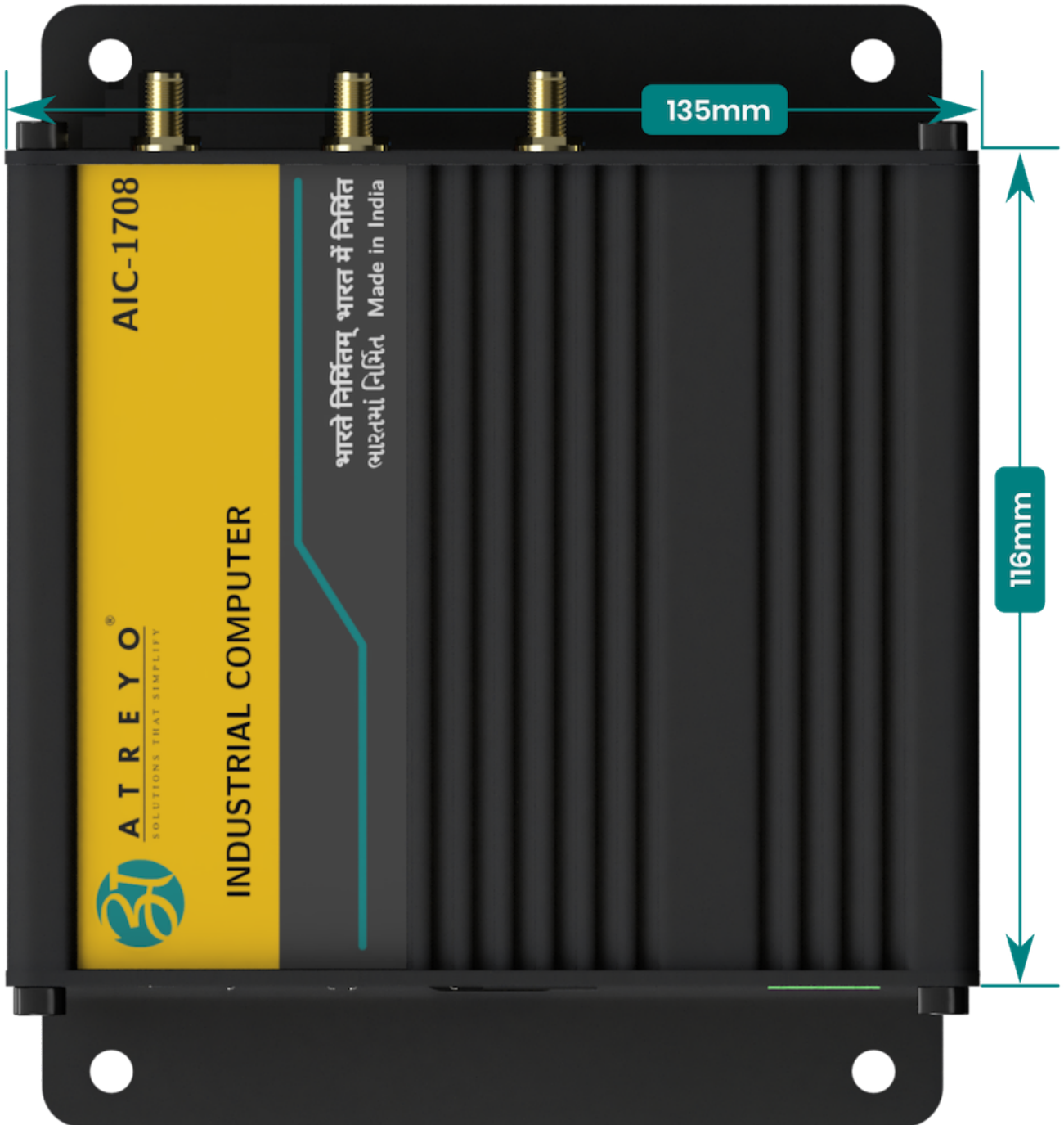
Variant	Internal storage			RAM		SSD		Cellular Network	
	16B	32GB	64GB	2GB	4GB	128G B	480G B	GPRS	LTE
AIC-1708-16G-2G	√			√					
AIC-1708-16G-2G-IS128G	√			√		√			
AIC-1708-16G-2G-IS128G-LT-EU	√			√		√		√	√
AIC-1708-16G-2G-LT-EU	√			√				√	√
AIC-1708-64G-4G			√		√				
AIC-1708-64G-4G-IS480G			√		√		√		
AIC-1708-64G-4G-IS480G-LT-EU			√		√		√	√	√
AIC-1708-64G-4G-LT-EU			√		√			√	√

Hardware

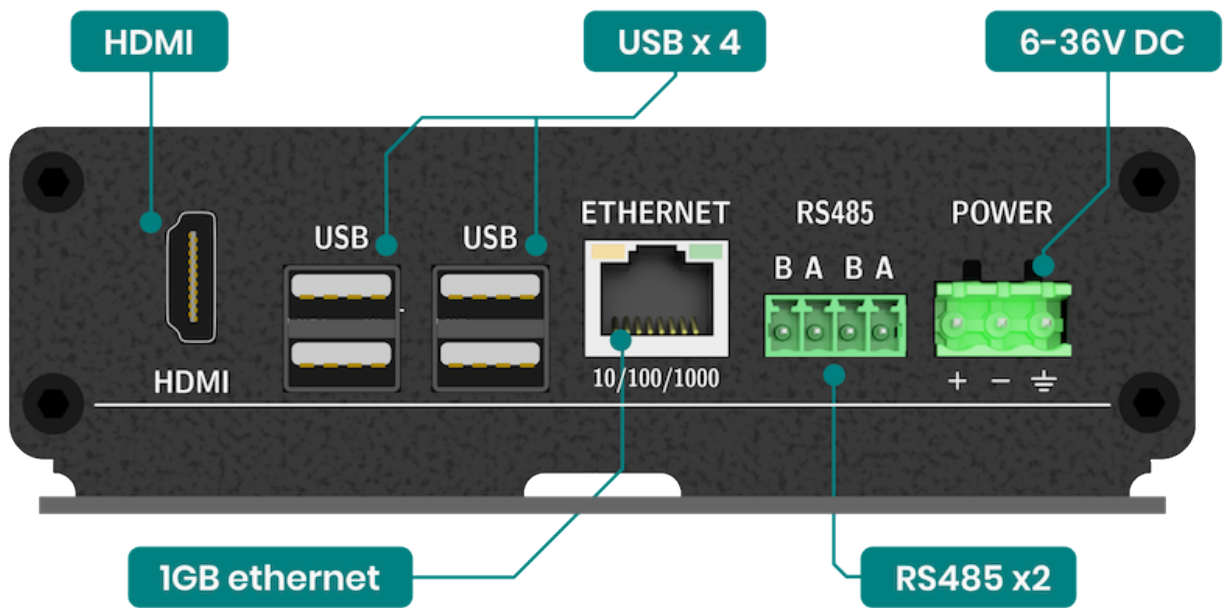
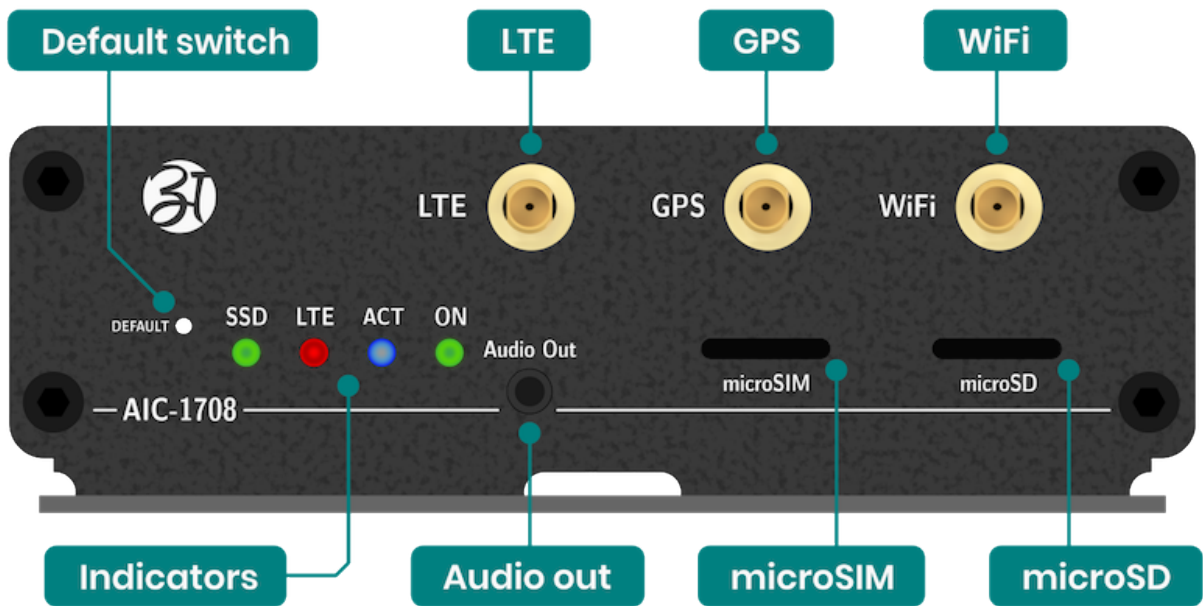
The Computer is made on one PCB, which is fitted to the aluminum housing. The housing is made of a thick, strong aluminum profile with two end plates also made from aluminum. The surface of the housing is finished by anodizing.

At the side of the housing there are slots through which DIN rail clamp or any other clamp can be mounted by t-nuts.

Top view

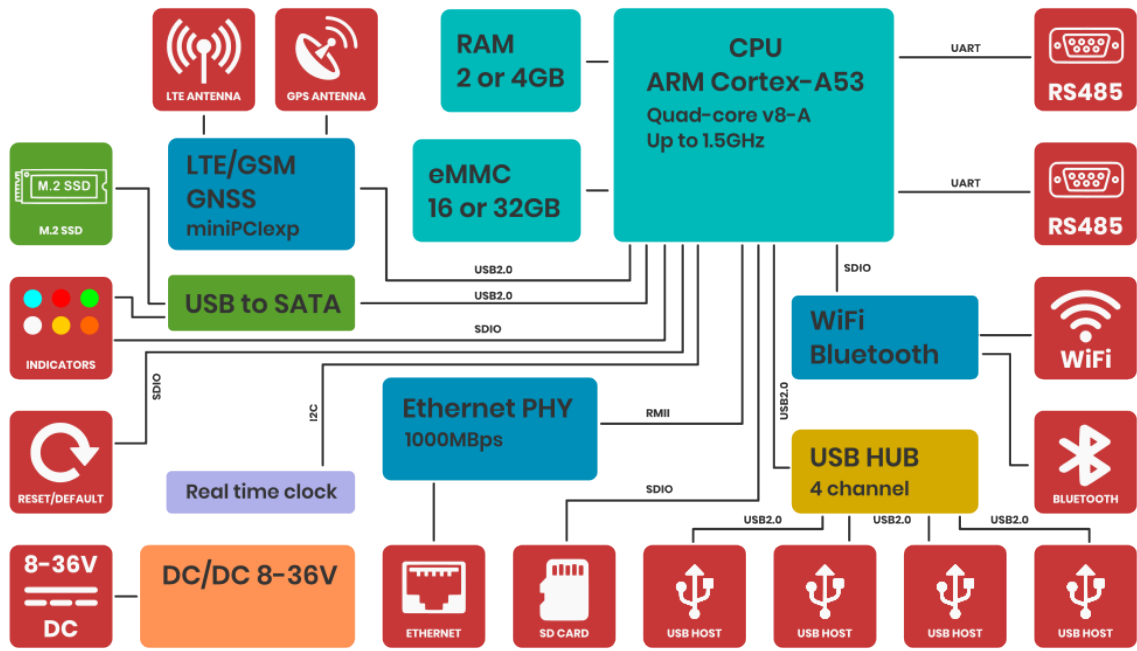


Side view



Block Diagram

For a better understanding of the operation of the computer, refer to the posted block diagram. Non-essential components have been omitted. Developers who program peripherals such as GPIOs, serial etc. will find information about them in the sections dedicated to such peripherals.



Revision #10

Created 2025-02-15 16:47:49 UTC by Yogesh

Updated 2025-09-03 06:37:55 UTC by Yogesh