

General Information

Download technical specification

[Technical Specification](#)

Model selection

Different LoRaWAN Gateway models are available depending on frequency band/region and on the periphery availability and it's type.

Model	Lora frequency / Country			Cellular		
	IN	US	EU	IN	EU	GL
ALWG-1638-IN-LT-IN	√			√		
ALWG-1638-IN-LT-EU	√				√	
ALWG-1638-IN-LT-GL	√					√

- **ALWG-1638-IN-LT-IN** comes with IN865 region and 4G LTE modem certified for India region.
- **ALWG-1638-IN-LT-EU** comes with IN865 region and 4G LTE modem certified for Europe region.
- **ALWG-1638-IN-LT-GL** comes with IN865 region and 4G LTE modem certified all over the world.

Models with other configurations are available by special order. See “Technical Specification” for how to select the correct model.

Hardware information

The Gateway is made from aluminium back and UV resistant PC front. It is IP67.

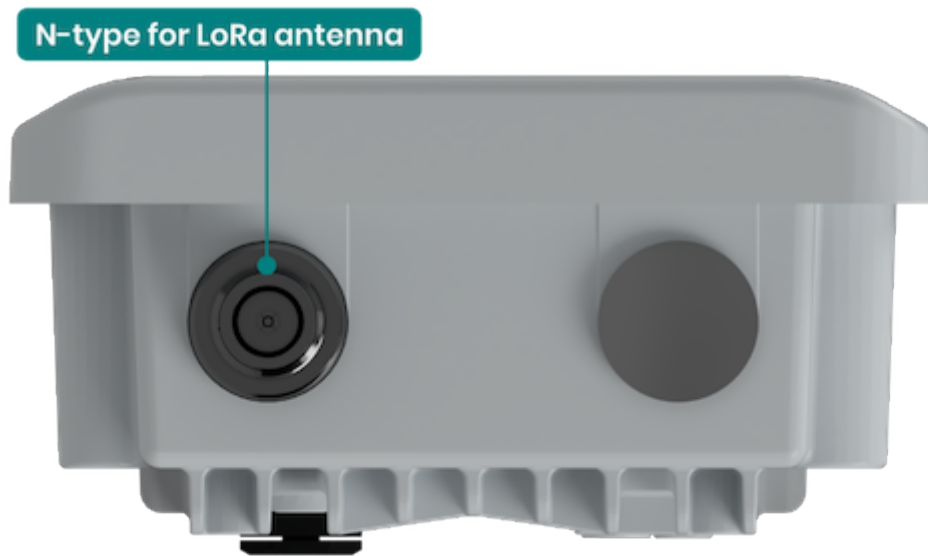
Front view dimensions



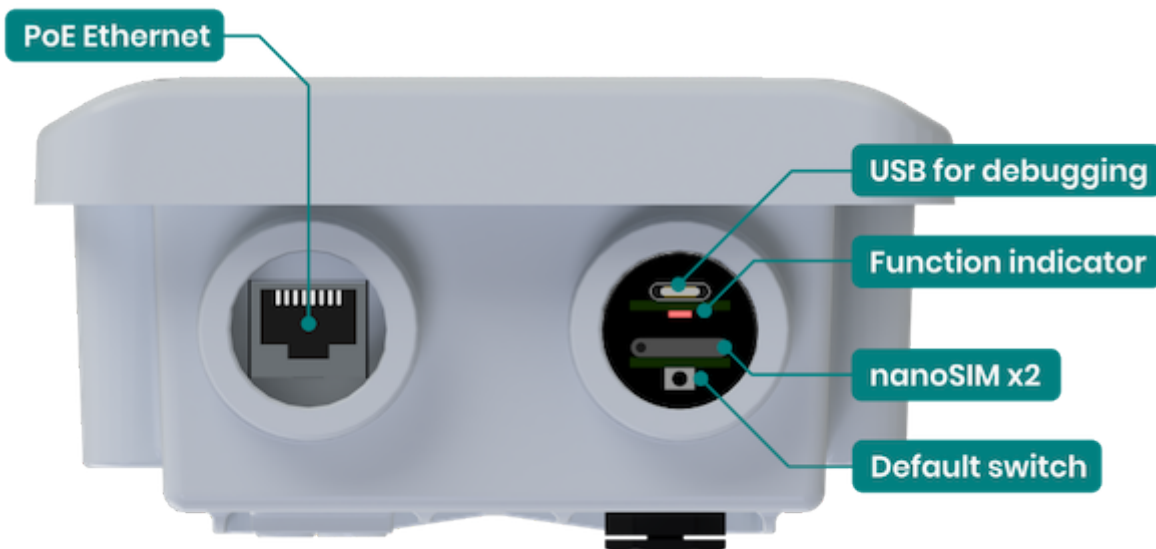
Top/Bottom view dimensions



Top connectors



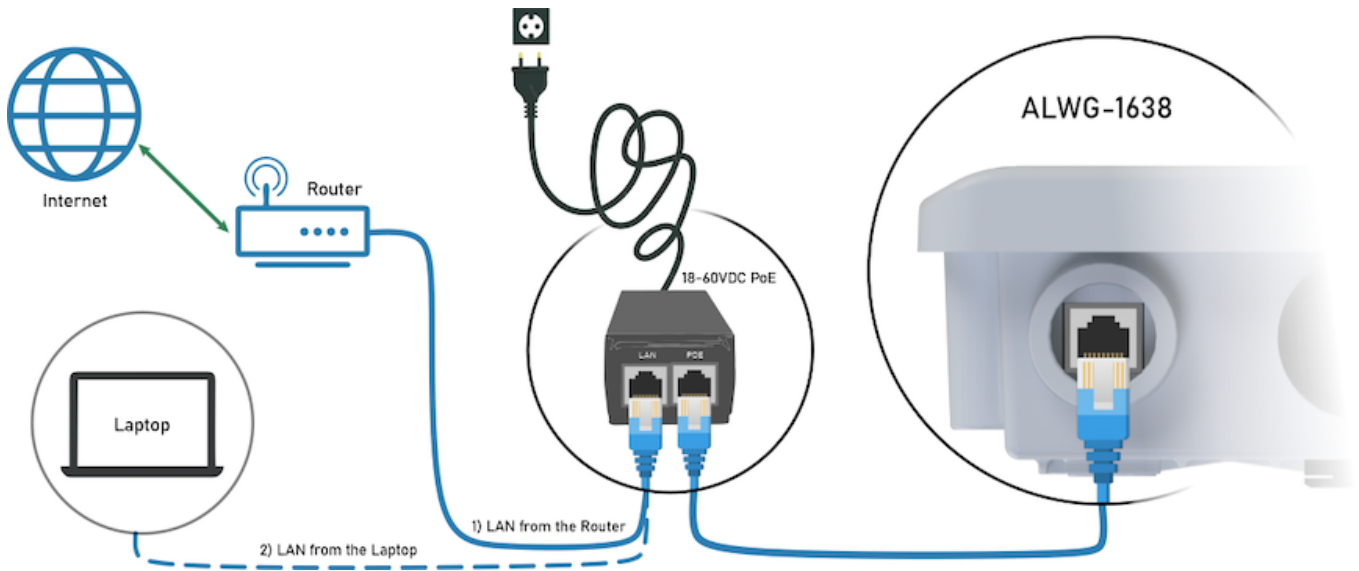
Bottom connectors



Power Supply

Connect the gateway to the power supply as referenced in the below diagram, and use the standard input/output-rated power adapter as per safety guidance.

The Gateway is to be powered via isolated **PoE** in the range of **37-57V DC**.



The above connection diagram shows two ways to connect the gateway to the network and power supply.

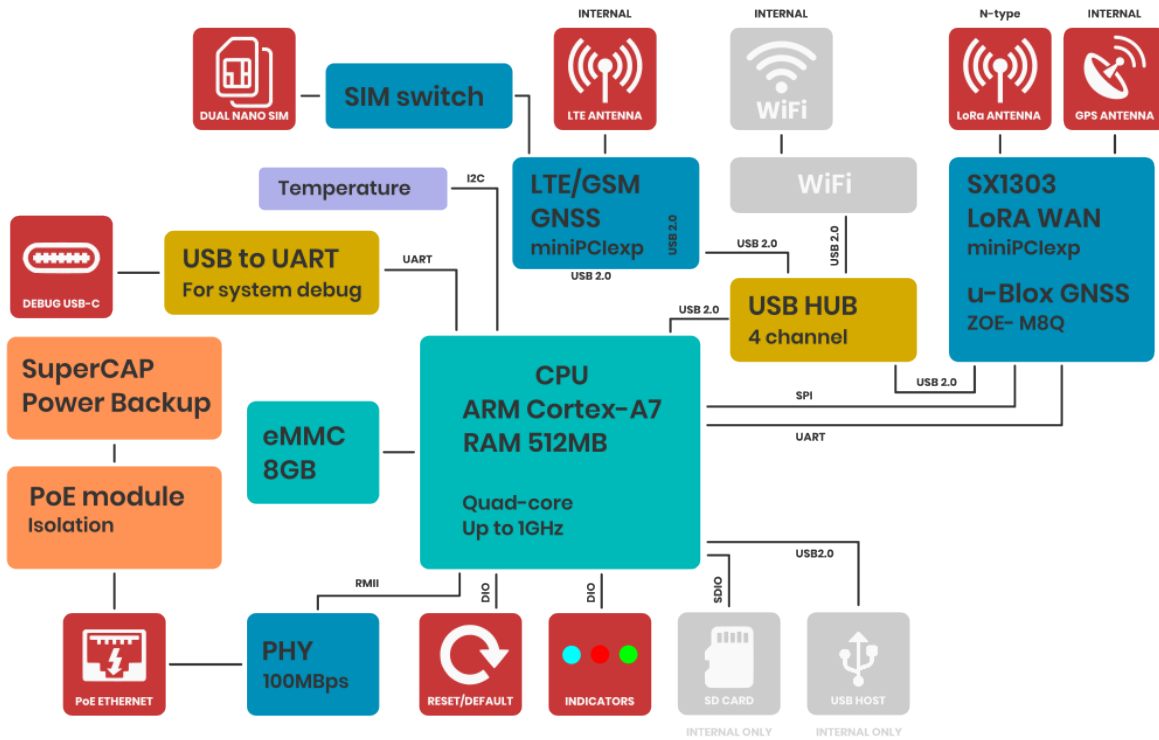
PoE Ethernet pinout

Below is the PoE Ethernet pinout for reference.

PIN number	Function	Remark
1	RX+	Data
2	RX-	Data
3	TX+	Data
4	DC+	Power supply positive
5	DC+	Power supply positive
6	TX-	Data
7	DC-	Power supply negative
8	DC-	Power supply negative

Block diagram

A block diagram of the device is shown below.



Note: USB host and microSD card are not available to the user. They are only for the purpose of developing your own software and updates. In case the user would like to use them, Atreyo's permission is required, otherwise the warranty will be void.

Revision #14

Created 2025-02-23 16:46:41 UTC by Yogesh

Updated 2025-09-03 06:37:17 UTC by Yogesh