

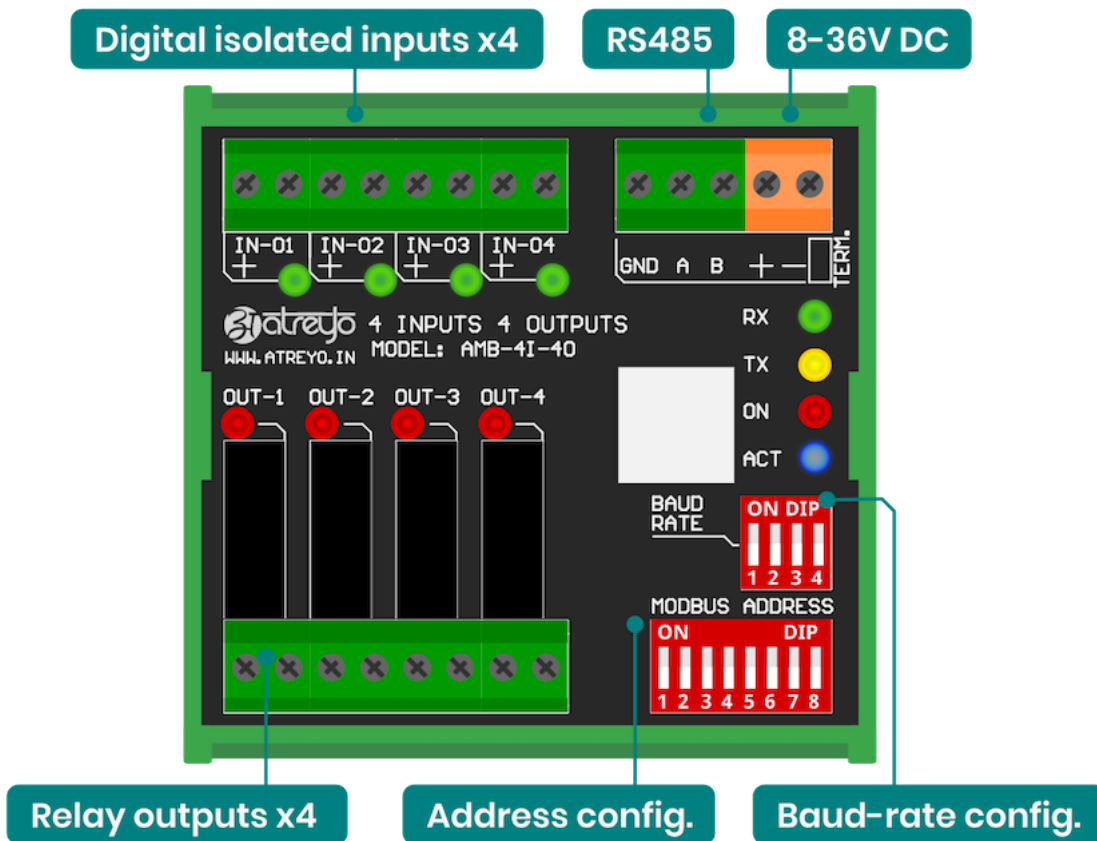
# General information

[Download technical specification](#)

[Technical Specification](#)

## Connection information

Below is a description of the expander connectors. The outputs of the expander are directly connected to the relay leads. The relays are of normal open type.



Revision #9

Created 2025-02-28 19:05:08 UTC by Yogesh

Updated 2025-08-17 12:35:46 UTC by Yogesh