

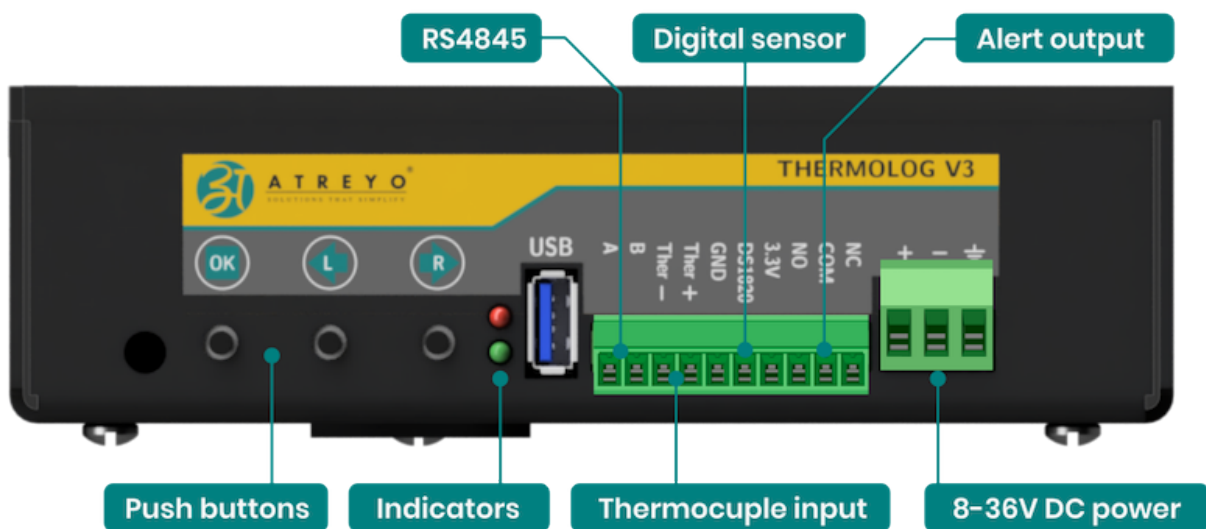
General information

Download technical specification Thermolog V3-T	Technical Specification
Download technical specification Thermolog V3-TH	Technical Specification

Connection

The thermologist on the right has a set of sockets for power and sensor connections. Below is a description of the sockets.

- **RS485** is used to connect to a Modbus master, i.e. to an IoT gateway, computer or PLC.
- **Push buttons** are used to configure Thermolog and change the way the danyuch is displayed
- In place of the **digital sensor**, depending on the Thermolog version, either a temperature sensor or a temperature and humidity sensor is connected.
- The **Alert output** is connected to either an optional sound or a sound/visual signaling device. The circuit is in NO/NC form and can control 230V mains voltage up to a maximum of 3A.
- Thermokuple input is adapted to 2-wire PT100 only in the version of Thermolog that supports this sensor



Copy data of Logger

Copying the data of the built-in logger is done with a USB pendrive. To do this, insert a pendrive formatted in FAT32 and restart the device. Thermolog will automatically start copying data to it

after detecting the pendrive. The display will show information about the progress of copying.

Once copied, the file on the flash drive will be named **Termdump.BIN**

To open it you need to use a dedicated PC program - **Thermometer**.

Firmware update

Thermolog enables firmware updates. For this purpose, you need a flash drive formatted in **FAT32**. On the flash drive you should copy the firmware to Thermolog. The firmware must be named **atgfirmware.bin**.

1. Insert a pendrive
2. Simultaneously press all 3 buttons
3. Turn on the power. The display will show Bootloader.
4. After a while it will display "press any key" Then press the "L" button
5. In a dozen seconds the firmware will update and Thermolog will reboot.

Revision #5

Created 2025-02-23 13:08:18 UTC by Yogesh

Updated 2025-05-22 03:03:00 UTC by Yogesh